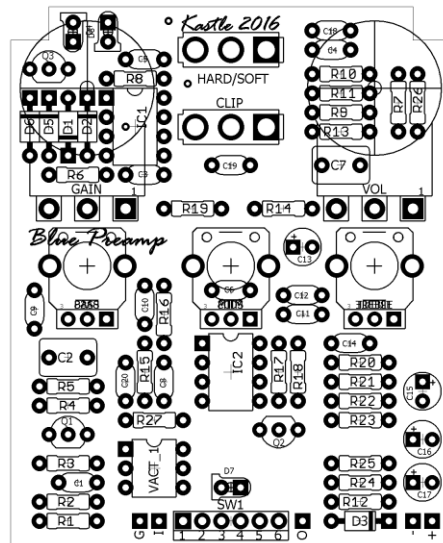


BB+ left side by Kastle



BOM

RESISTORS

R1	1M
R2	1K
R3	470K
R4	10K
R5	10K
R6	10K
R7	3K3
R8	1K
R9	4K7
R10	1K8
R11	100K
R12	100R
R13	100K
R14	22K
R15	100K
R16	4K7
R17	33K
R18	10K
R19	4K7
R20	470K

R21	10K
R22	10K
R23	10K
R24	10K
R25	10K
R26	2K2
R27	1K

CAPS

C1	20n
C2	1uF
C3	51 pF
C4	100n
C5	220n
C6	20n
C7	1uF
C8	151pF
C9	33n
C10	33n
C11	4n7
C12	4n7
C13	10uF

C14	100n
C15	10uF
C16	100uF
C17	100uF
C18	220n
C19	6n8
C20	220n

DIODES

D1	1N4001
D2	BAT46
D3	1N4001
D4	LED3mm
D5	BAT46
D6	1N4001
D7	LED3mm
D8	LED3mm

POTENTIOMETERS

Gain	B1M 16mm
Bass	B50K 9mm plastic shaft

Mids B10k 9mm plastic
shaft

High B50k 9mm plastic
shaft

Volume A100k 16mm

IC

IC1 JRC4558

IC2 TL072

Vact1 H11F1

Transistors

Q1 2n5088

Q2 2n5088

Q3 2n7000

Switch

Clip SPDT

Hard/Soft SPDT

DPDT Stomp

SHOPPING LIST

Resistors

100R - 1

1K - 3

1K8 - 1

2K2 - 1

3K3 - 1

4K7 - 3

10K - 9

22K - 1

33K - 1

100K - 3

470K - 2

1M - 1

Caps

51pF - 1

151pF - 1

4n7 - 2

6n8 - 1

20n/22n - 2

33n - 2

100n - 2

220n - 3

1uF - 2

10uF - 2 (electro)

100uF - 2 (electro)

Diodes

1N4001 - 3

BAT46 - 2

LED 3mm diffused - 1

LED 3mm red - 2

Pots and trims

16mm A100k - 1

16mm B1M - 1

9mm plastic shaft B10K - 1
9mm plastic shaft B50K - 2

IC

JRC4558

TL072

Vact H11F1

IC

2n5088 - 2

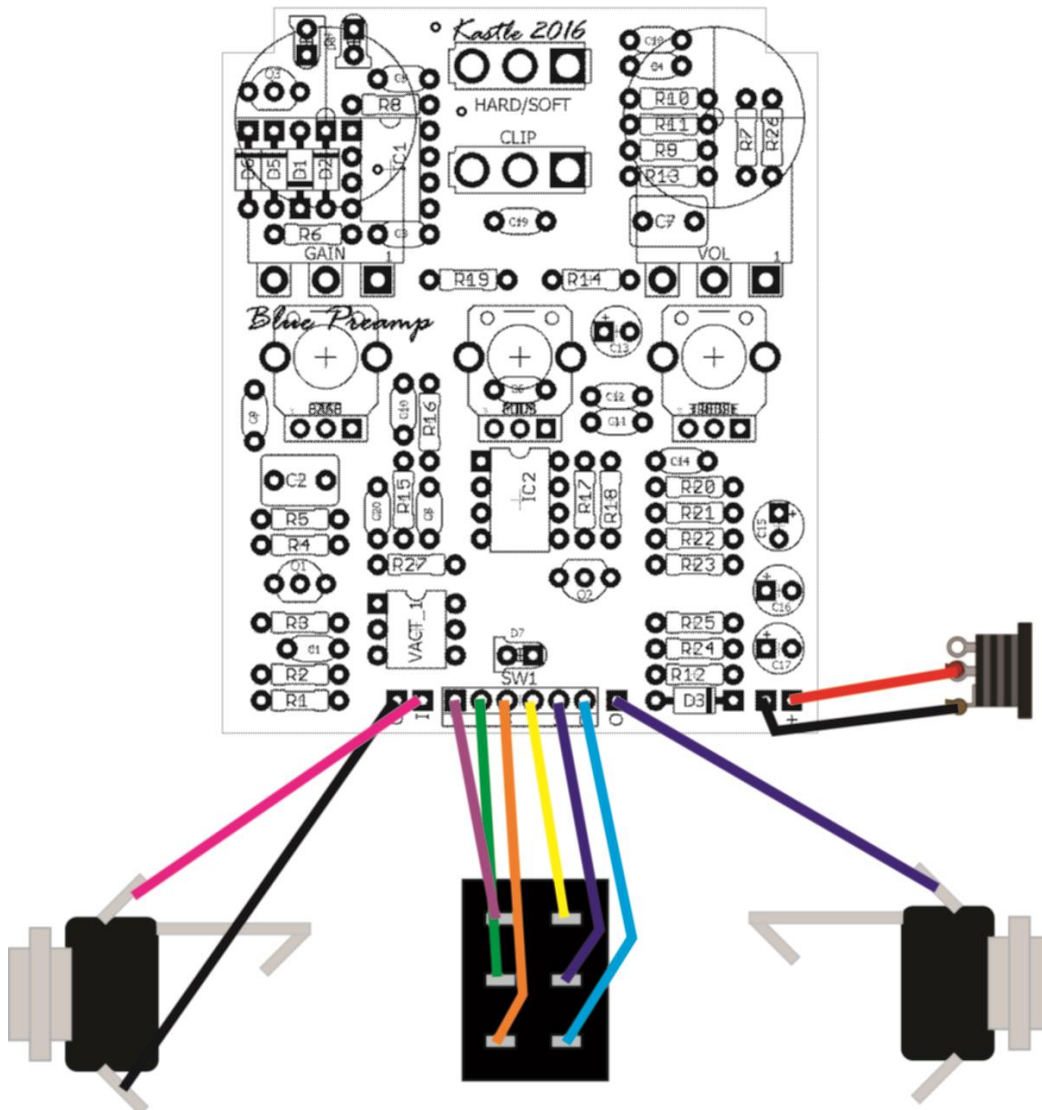
2n7000 - 1

Switch

Switch DPDT Stomp

SPDT on/on - 2

Wiring



Schematics

